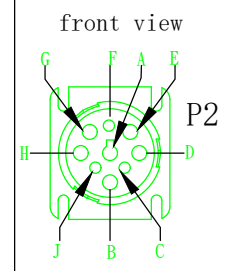
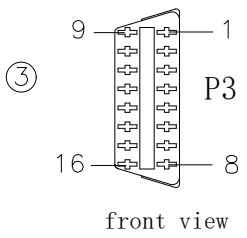
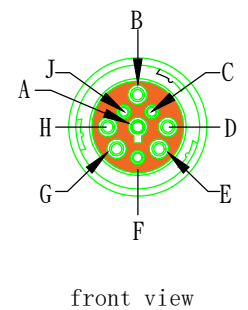
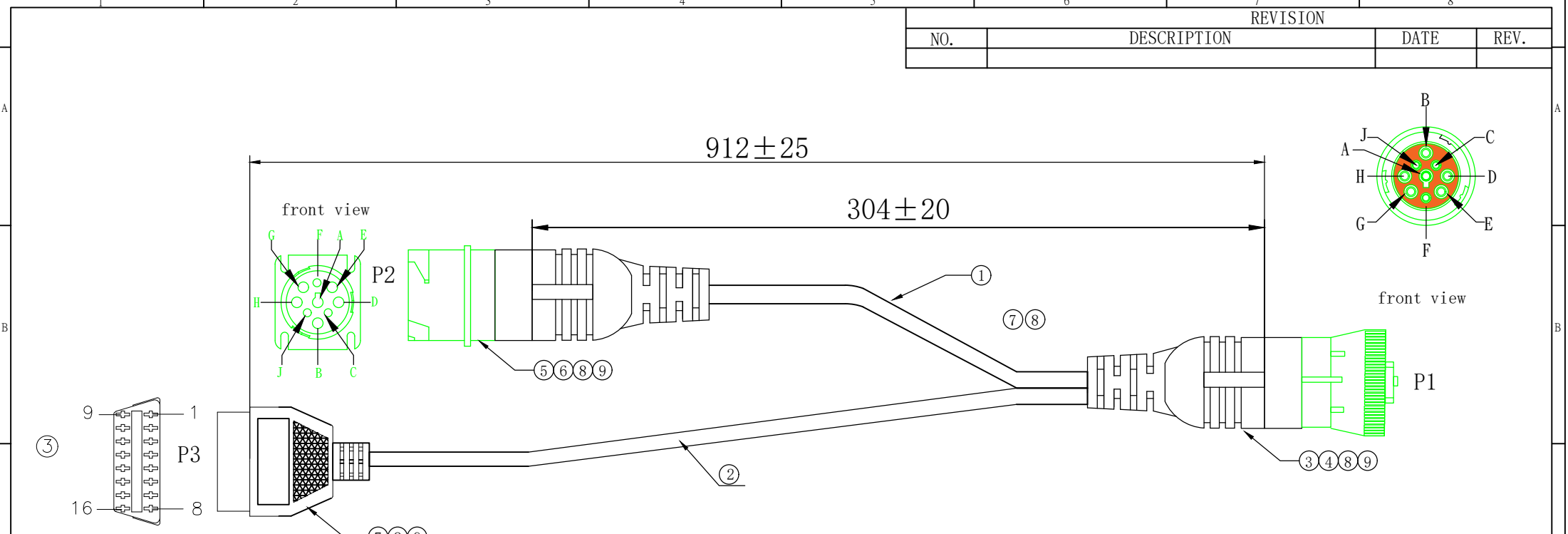



REVISION			
NO.	DESCRIPTION	DATE	REV.

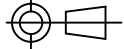


Wire position contact table

P3	P2	P1
4 — BLACK (20AWG)	A — BLACK (20AWG)	A
16 — RED (20AWG)	B — RED (20AWG)	B
6 — ORANGE (20AWG)	C — ORANGE (20AWG)	C
14 — GREEN (20AWG)	D — GREEN (20AWG)	D
5 — WHITE (20AWG)	E — WHITE (20AWG)	E
10 — BLUE (20AWG)	F — BLUE (20AWG)	F
2 — BROWN (20AWG)	G — BROWN (20AWG)	G
	H — YELLOW (20AWG)	H
	J — PURPLE (20AWG)	J

9	PVC outer mold material: hardness: 45P, temperature resistance 80 degrees, color: black.	KG	
8	PE inner mold compound; LDPE low density polyethylene, white inner mold compound.	KG	
7	Plug: OBD-female-PINS nickel-plated-black glue-full pins.	1PCS	
6	Terminal: J1939-male terminal-half gold-plated/half nickel-plated.	9PCS	
5	Connector: (De Chi) J1939-9P-female seat-short body-black (PA66+15%GF material)	1SET	
4	Terminal: J1939-female terminal-circlip gold-plated-nickel-plated surface.	9PCS	
3	Connector: (De Chi) J1939-9P-male plug-in-short body-green (PA66+15%GF material)	1SET	
2	UL2464 20AWG*2P+3C+AL OD=8.0mm BLACK PVC JACKET.	1PCS	
1	UL2464 20AWG*9C+AL OD=8.0mm BLACK PVC JACKET	1PCS	
ITEM	DESCRIPTION	Q' TY	REMARK


Cability Inc

	UNIT: mm	TITLE: J1939 9P M/F TO OBDII 16P FEMALE		
DRAWN BY KENNY	DATE 2025-1-20	CUSTOMER		CUSTOMER P/N
CHECKED BY	DATE	PART NO.		REV. A
APPROVED BY	DATE	REV. A	SAMPLE NO.	REV.
SALE BY	DATE	FILE NO:		